



The Next Generation of Portable Balances for your Classroom

Designed for education applications, the OHAUS Scout with large backlit LCD backed by education software is the ideal balance for your classroom. It is built to endure demanding classroom applications with superior overload protection. Features including, faster stabilization time, increased capacity, multiple connectivity options and stackable design make Scout the best weighing experience for the next generation classroom.

Standard Features Include:

- **Superior Overload Protection & Practical Stackable Design for Convenient Storage**
Integrated superior overload protection system rated at 10x capacity protects the balance in demanding classroom environments. Space-saving design allows for stackable storage (excluding 1mg model).
- **Improved Functionality with Bright Backlit LCD and 4 Button Operation**
Combined with a simplified 4 button operation, the Scout's large backlit display increases readability in dim lighting conditions, and makes it easier to view results from across a desk or lab bench.
- **Multiple Connectivity Options Available for Data Logging and Communication**
With expanded connectivity options including RS232, USB Host, USB Device, Ethernet and Bluetooth[®], the Scout provides added versatility to your data collection and transfer needs.
- **Geared for Classroom Use with Education Specific Software Applications**
With specific gravity software, density kit and weigh below hook, the Scout is uniquely designed for science classroom lessons. The Mole weighing mode allows students to check their Mole calculations.

Scout[®] Portable Balances

Scout can Handle Demanding Classroom Environments

The superior mechanical overload protection system of the Scout is comprised of a high-strength stainless steel pan and an impact-resistant plastic pan support. This enables the balance to safely withstand loads up to 10 times its rated capacity, and survive in demanding classroom environments where capacity may be frequently exceeded. Scout's unique stacking and storage cover allows the balance to be safely stored away when not in use. The integrated transportation lock protects the load cell from damage during stacking storage and transportation.



User-Friendly Experience Guaranteed with Backlit Display and 4-Button Operation

4 clearly marked buttons remove complexity, and guide you quickly and easily through balance setup, unit of measure changes, calibration and more. Poor lighting in the lab or classroom is not an issue with the Scout. The large, bright backlit LCD display improves readability in conditions where lighting is poor, and makes it easy to see the weighing results from a distance.



Expanded Connectivity Options Allow for a More Modern Weighing Experience

Scout has multiple connectivity options—RS232, USB Host, USB Device, Ethernet and Bluetooth[®]*. With expanded connectivity options, the OHAUS Scout offers more versatility for convenient data logging, communication and remote functionality. Utilize the Bluetooth accessory to remotely control the balance from your mobile device or tablet for Android[™]***. Perform functions such as Zero, Tare, Print, Power Off and more. With the USB Host option, you can simply save and transfer data from the balance to a USB drive.



Backed by Education Specific Software

It's all about accuracy and efficiency with the OHAUS Scout balance. Stabilization time as fast as 1 sec combined with high resolution deliver extremely precise and repeatable weighing results that you can count on time and time again. This makes the Scout ideal for routine experiments and other weighing applications in your classroom.



Draftshield Model Available

Scout's ingenious draftshield (1mg model only) was designed with an easy to remove top cover piece. This serves as a wind protection ring which keeps the weighing surface stable in rough environments, while maintaining weighing speed.



* The Bluetooth word mark and logos are registered trademarks owned by Bluetooth SIG, Inc. and any use of such marks by OHAUS is under license.

** Android is a trademark of Google Inc.



Stackable Design
Space-saving design allows for stackable storage (excludes mg models).



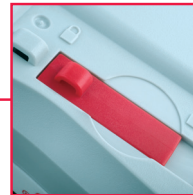
Connectivity
Expanded connectivity options including RS232, USB Host, USB Device, Ethernet and Bluetooth®



Weigh Below Hook
The integral weigh below hook on the bottom of the Scout allows for density determination or specific gravity calculations



Security Slot
Integrated security slot prevents theft



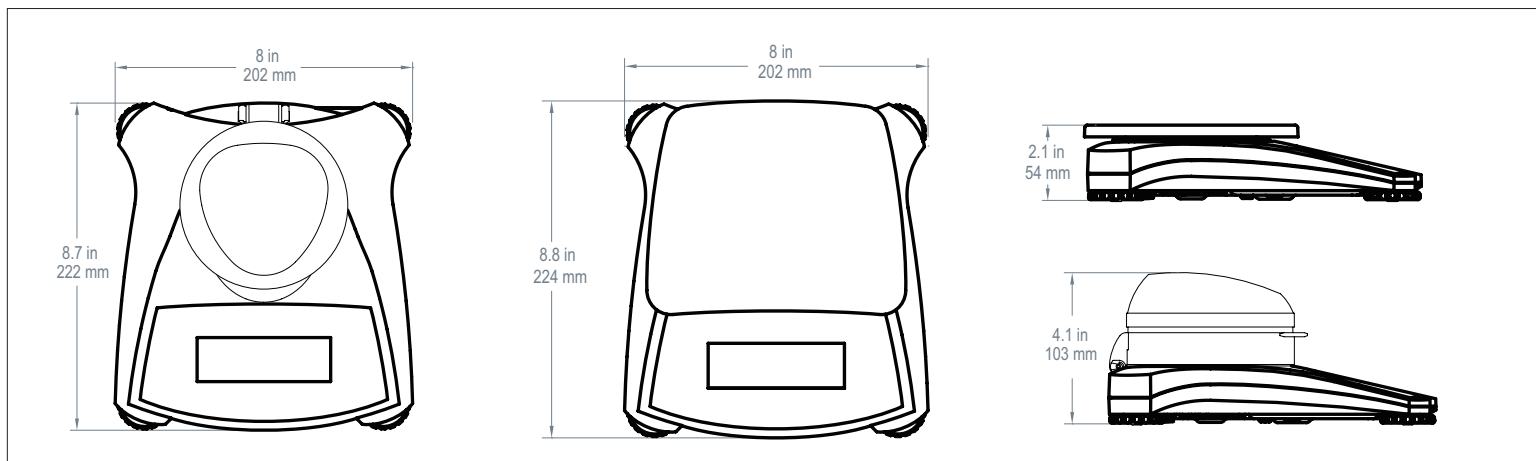
Lockswitch
The Scout can be locked into a specific configuration using the lockswitch

Large Backlit LCD Display
High contrast LCD Display displays weight and application data clearly, even in poor lighting conditions

Capacity & Readability by Weighing Unit

| Model | SKX123 | SKX222 | SKX422 | SKX622 | SKX1202 | SKX2202 | SKX421 | SKX621 | SKX2201 | SKX6201 | SKX8200 |
|---------------------|-------------------|-----------------|------------------|-------------------------|--------------------------|--------------------------|----------------|------------------------|------------------------|-------------------------|----------------------|
| Gram (g) | 120 × 0.001 | 220 × 0.01 | 420 × 0.01 | 620 × 0.01 | 1200 × 0.01 | 2200 × 0.01 | 420 × 0.1 | 620 × 0.1 | 2200 × 0.1 | 6200 × 0.1 | 8200 × 1 |
| Kilogram (kg) | / | / | / | / | 1.2 × 0.00001 | 2.2 × 0.00001 | / | / | 2.2 × 0.0001 | 6.2 × 0.0001 | 8.2 × 0.001 |
| Newton (N) | 1.17679 × 0.00001 | 2.1574 × 0.0001 | 4.1188 × 0.0001 | 6.0801 × 0.0001 | 11.7679 × 0.0001 | 21.5744 × 0.0001 | 4.119 × 0.001 | 6.080 × 0.001 | 21.574 × 0.001 | 60.801 × 0.001 | 80.41 × 0.01 |
| Ounce (oz) | 4.23290 × 0.00005 | 7.7600 × 0.0005 | 14.8150 × 0.0005 | 21.8700 × 0.0005 | 42.3290 × 0.0005 | 77.6030 × 0.0005 | 14.815 × 0.005 | 21.870 × 0.005 | 77.600 × 0.005 | 218.700 × 0.005 | 289.25 × 0.05 |
| Pound (lb) | / | / | / | 1.36690 × 0.00005 | 2.64555 × 0.00005 | 4.85020 × 0.00005 | / | 1.3670 × 0.0005 | 4.8500 × 0.0005 | 13.6685 × 0.0005 | 18.080 × 0.005 |
| Pound:Ounce (lb:oz) | / | / | / | 1lb:5.8700oz × 0.0005oz | 2lb:10.3290oz × 0.0005oz | 4lb:13.6030oz × 0.0005oz | / | 1lb:5.8700oz × 0.005oz | 4lb:13.600oz × 0.005oz | 13lb:10.700oz × 0.005oz | 18lb:1.25oz × 0.05oz |

Outline Dimensions



Scout® Portable Balances

| Model | SKX123 | SKX222 | SKX422 | SKX622 | SKX1202 | SKX2202 | SKX421 | SKX621 | SKX2201 | SKX6201 | SKX8200 |
|---------------------------------|---|--|------------|-------------------------------|------------|--------------------|-------------------------------|------------|------------|------------|------------|
| Capacity (g) | 120 | 220 | 420 | 620 | 1200 | 2200 | 420 | 620 | 2200 | 6200 | 8200 |
| Readability (g) | 0.001 | 0.01 | 0.01 | 0.01 | 0.01 | 0.01 | 0.1 | 0.1 | 0.1 | 0.1 | 1 |
| Repeatability (Std. Dev.) (g) | 0.002 | 0.01 | 0.01 | 0.01 | 0.02 | 0.02 | 0.1 | 0.1 | 0.1 | 0.1 | 1 |
| Linearity (g) | 0.003 | 0.01 | 0.01 | 0.02 | 0.03 | 0.03 | 0.1 | 0.1 | 0.1 | 0.2 | 1 |
| Span Calibration Mass* | 100 g | 200 g | 200 g | 300 g | 1 kg | 2 kg | 200 g | 300 g | 2 kg | 5 kg | 8 kg |
| Linearity Calibration Mass | 50,100 g | 100, 200 g | 200, 400 g | 300, 600 g | 500g, 1 kg | 1 kg, 2 kg | 200, 400 g | 300, 600 g | 1 kg, 2 kg | 3 kg, 6 kg | 4 kg, 8 kg |
| Stabilization Time (s) | 1.5 | 1 | 1 | 1 | 1.5 | 1.5 | 1 | 1 | 1 | 1 | 1 |
| Construction | ABS housing & stainless steel pan | | | | | | | | | | |
| Draftshield | Yes | No | | | | | | | | | |
| Calibration | User-selectable external span or linearity calibration/Digital with external weight | | | | | | | | | | |
| Tare Range | Full capacity by subtraction | | | | | | | | | | |
| Weighing Units | g, kg, N, oz, lb, lb:oz | | | | | | | | | | |
| Application Modes | Weighing, Density Determination, Mole Weighing | | | | | | | | | | |
| Power Requirement | AC adapter (included) or 4 AA batteries (not included) | | | | | | | | | | |
| Typical Battery Life (Hours) | 80 | 120 | 80 | | | | 120 | | | 80 | 120 |
| Communication | RS232, USB Host, USB Device, Ethernet or Bluetooth® (available as an accessory) | | | | | | | | | | |
| Display Type | Liquid crystal display (LCD) with backlight | | | | | | | | | | |
| Display Size | 0.78 in/20 mm digits | | | | | | | | | | |
| Overload Capacity | 10 times the rated capacity | | | | | | | | | | |
| Operating Temperature Range | 10°C / 50°F to 40°C / 104°F at 10% to 80% relative humidity, non-condensing | | | | | | | | | | |
| Storage Conditions | -20°C (-4°F) to 55°C (131°F) at 10% to 90% relative humidity, non-condensing | | | | | | | | | | |
| Pan Size (W × D) | Ø3.7 in/ 93 mm | Ø4.7 in/ 120 mm | | 6.7 × 5.5 in/ 170 × 140 mm | | Ø4.7 in/ 120 mm | 6.7 × 5.5 in/ 170 × 140 mm | | | | |
| Balance Dimensions (W × D × H) | 8 × 8.7 × 4.1 in/ 202 × 222 × 103 mm | 8 × 8.8 × 2.1 in/ 202 × 224 × 54 mm | | | | | | | | | |
| Shipping Dimensions (W × D × H) | 11.8 × 9.8 × 5.1 in/300 × 250 × 129 mm | | | | | | | | | | |
| Net Weight | 2.2 lb/1 kg | | | | | | | | | | |
| Shipping Weight | 3.5 lb/1.6 kg | | | | | | | | | | |

* Span calibration weight is included with models up to 620g capacity.

Other Standard Features and Equipment

Transportation lock, stainless steel pan, menu & calibration lockout switch, mechanical and software overload/underload protection, stability indicator, auto tare, low battery indicator, auto shut-off, user selectable printing options, user-selectable communication settings

Compliance

- **Product Safety:** IEC/EN 61010-1; CAN/CSA C22.2 No. 61010-1; UL Std. No. 61010-1
- **Electromagnetic Compatibility:** IEC/EN 61326-1 Class B; FCC Part 15 Class B; Industry Canada ICES-003 Class B

Accessories

| | |
|---|----------|
| RS232 Interface Kit | 30268982 |
| USB Host Interface Kit | 30268983 |
| USB Device Interface Kit | 30268984 |
| Bluetooth Interface Kit | 30268985 |
| Ethernet Interface Kit | 30268986 |
| Stacking & Storage Cover (6 pcs) | 30268987 |
| Stacking & Storage Cover (1 pc) | 30268988 |
| Printer, Impact, SF40A, AM | 30064203 |
| Auxiliary Display, TAD7-S | 30333960 |
| Security Device | 80850043 |
| Top Loading Kit for Density Determination | 30269020 |
| Carrying Case | 30269021 |
| In-use Cover | 30269022 |

OHAUS CORPORATION
* 7 Campus Drive
Suite 310
Parsippany, NJ 07054 USA

Tel: 800.672.7722
973.377.9000
Fax: 973.944.7177

www.ohaus.com

With offices throughout
Europe, Asia and
Latin America

*ISO 9001:2008
Registered Quality
Management System

